



V-MAC SILOS 4 Ton Hopper

KEY FEATURES

- Fully galvanised with stainless steel nuts and bolts to promote long life.
- Easy to use lever opening allows contents to be discharged in a controlled manner.
- Hopper opening can be adjusted to accommodate all auger systems.
- Legs and body are fully braced to ensure stability.
- Sight Glass on cone.
- Rack & pinion system for opening lid.

Optional Extras

- Painted - in brown, green or grey.
- Auger box connection or supplied with augur.
- Extra height under the cone.

Standard Dimensions

- Height - 406cm, 492cm with lid open. Tipping height 360cm.
- Width - 296cm. Width between legs - 274cm
- Depth - 158cm.
- Outlet flange height - 108cm.
- Outlet height with bagging chute - 91cm this can be reduced by 20cm or 40cm which reduces the overall height.

Base Requirements

3.4m x 2.2m x 10cm
35 newton concrete - no reinforcement.

V-Mac 4 Ton Hopper

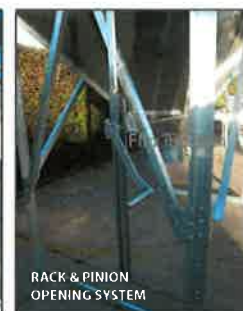
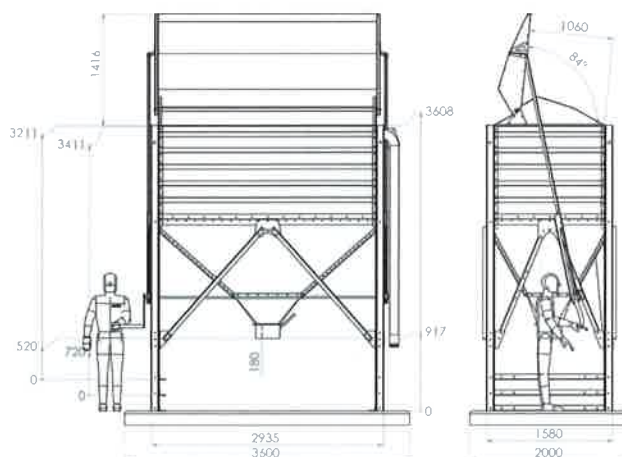
The latest development in the V-Mac Silo animal feed handling range is our 4 ton hopper. Designed to store and discharge grains, cereals and home mixed animal feed, the V-Mac 4 ton hopper is ideal for any farmer who needs an efficient way to handle their feed.

The weatherproof silo is constructed out of 3mm folded galvanised sheeting which provides increased body strength and hot dipped galvanised, angle iron legs to promote long life. Stainless steel nuts and bolts are used throughout.

The rubber sealed lid can be easily opened using a smooth rack & pinion system which can lock the lid in an open position. The lid folds above the body of the hopper which means that it can be positioned tight against a wall or shed. The hopper can be filled with an 8ft bucket.

With 91cm clearance under the discharge the hopper can be emptied using barrows, bags or buckets up to 8ft wide. An integrated filler pipe also allows the hopper to be filled by blowing feed in the conventional way.

The height under the cone can be reduced to 57cm or indeed increased to your specific requirements.



Due to our policy of continuing product improvement we reserve the right to alter specifications and construction without notice